



Features:

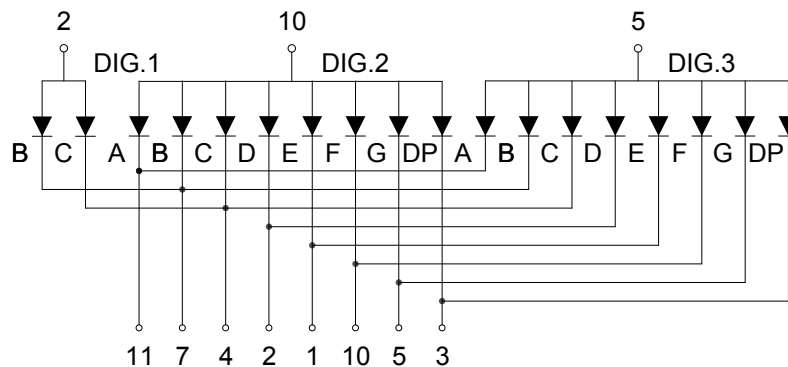
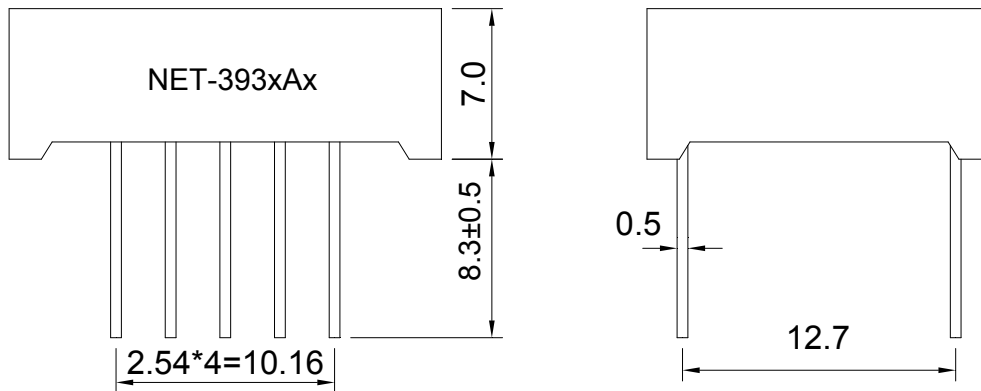
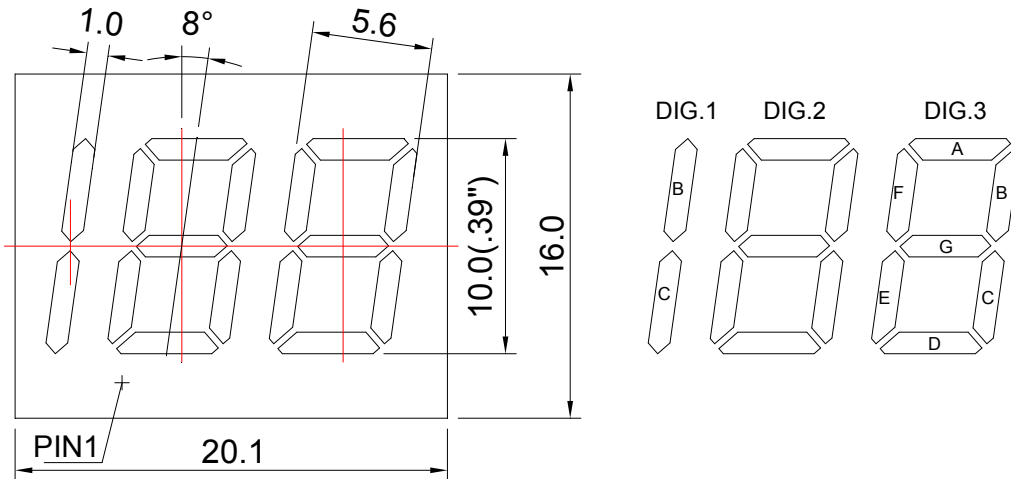
- Industrial standard size.
- Low current operation.
- Easy mounting on P.C. boards or sockets.
- I.C. compatible.
- Mechanically rugged.
- Pb free.
- RoHS compliant.

Descriptions:

- The NET-393xAx series is a large 10.0mm (0.39”) high seven segment display.
- These displays provide excellent reliability in bright ambient light.
- These devices are made with black surface and white segments.
- The Green source color devices are made with Gallium Phosphide Green Light Emitting Diode



Package Dimensions & Internal Circuit Diagram



Notes:

1. All dimensions are in millimeters(inches), Tolerance is ± 0.25 (0.01") unless otherwise noted.
2. Specifications are subject to change without notice.

**Absolute maximum ratings (Ta = 25°C)**

| Parameter | Symbol | | Value | | Unit |
|-----------------------|--------|---------------------------------|-------|------|------|
| | | | Min. | Max. | |
| Reverse Voltage | VR | ---- | ---- | 5 | V |
| Forward Current | IF | ---- | ---- | 25 | mA |
| Power Dissipation | Pd | ---- | ---- | 60 | mW |
| Pulse Current | Ipeak | Duty=0.1mS, 1kHz | ---- | 80 | mA |
| Operating Temperature | Topr | ---- | -25 | +85 | °C |
| Storage Temperature | Tstr | ---- | -30 | +85 | °C |
| Solder Temperature | Tsol | 1/16inch below Seating plane | 260/3 | | °C/s |

Electrical and optical characteristics (Ta = 25°C)

| Parameter | Symbol | Test Condition | Values | | | Unit |
|--------------------------|--------|----------------|--------|------|------|------|
| | | | Min. | Typ. | Max. | |
| Forward Voltage | VF | IF=20mA | ---- | 2.3 | 2.6 | V |
| Reverse Current | IR | VR=5V | ---- | ---- | 30 | μA |
| Dominate Wavelength | λd | IF=20mA | ---- | 570 | ---- | nm |
| Peak Wavelength | λp | IF=20mA | ---- | 568 | ---- | nm |
| Spectral Line half-width | Δλ | IF=20mA | ---- | 30 | ---- | nm |
| Luminous Intensity | Iv | IF=10mA | ---- | 2500 | ---- | ucd |



Typical electrical/optical characteristic curves:

