



Features:

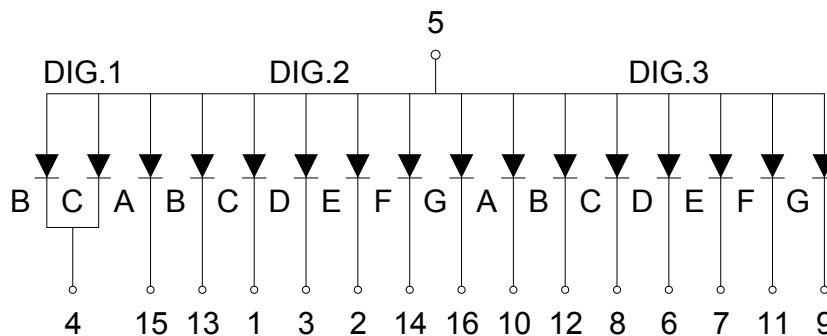
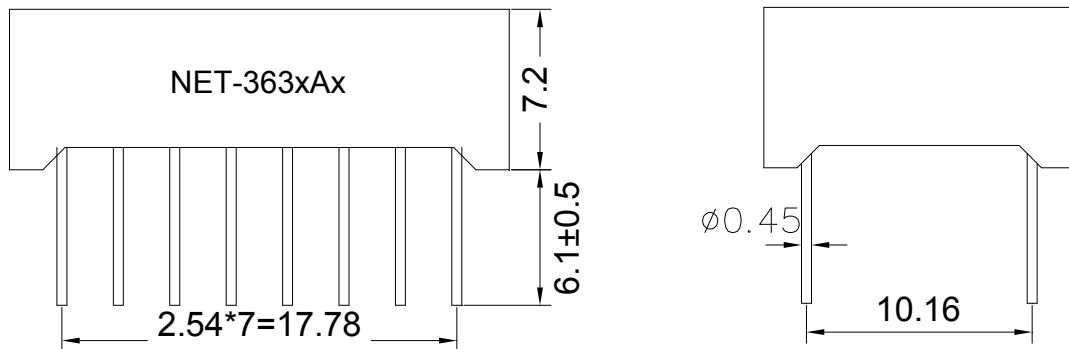
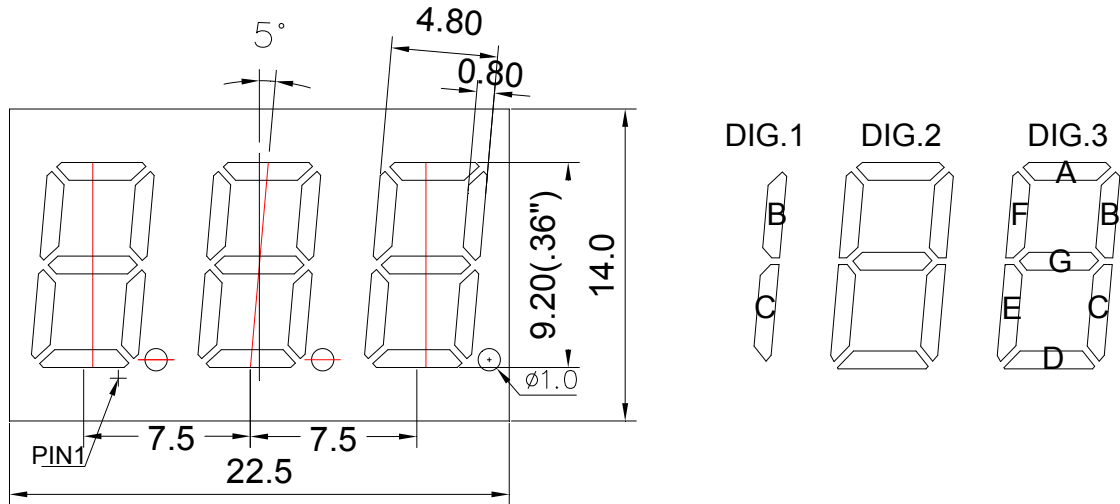
- Industrial standard size.
- Low current operation.
- Easy mounting on P.C. boards or sockets.
- I.C. compatible.
- Mechanically rugged.
- Pb free.
- RoHS compliant.

Descriptions:

- The NET-363xAx series is a large 9.2mm (0.36”) high seven segment display.
- These displays provide excellent reliability in bright ambient light.
- These devices are made with black surface and white segments.
- The Super Bright Red source color devices are made with AlGaInP Red Light Emitting Diod



Package Dimensions & Internal Circuit Diagram



Notes:

1. All dimensions are in millimeters(inches),Tolerance is ± 0.25 (0.01") unless otherwise noted.
2. Specifications are subject to change without notice.

**Absolute maximum ratings (Ta = 25°C)**

| Parameter | Symbol | | Value | | Unit |
|-----------------------|-------------------|---------------------------------|-------|------|------|
| | | | Min. | Max. | |
| Reverse Voltage | V _R | ---- | ---- | 5 | V |
| Forward Current | I _F | ---- | ---- | 25 | mA |
| Power Dissipation | P _d | ---- | ---- | 60 | mW |
| Pulse Current | I _{peak} | Duty=0.1mS, 1kHz | ---- | 80 | mA |
| Operating Temperature | T _{opr} | ---- | -25 | +85 | °C |
| Storage Temperature | T _{str} | ---- | -30 | +85 | °C |
| Solder Temperature | T _{sol} | 1/16inch below Seating plane | 260/3 | | °C/s |

Electrical and optical characteristics (Ta = 25°C)

| Parameter | Symbol | Test Condition | Values | | | Unit |
|--------------------------|----------------|----------------------|--------|------|------|------|
| | | | Min. | Typ. | Max. | |
| Forward Voltage | V _F | I _F =20mA | ---- | 1.9 | 2.3 | V |
| Reverse Current | I _R | V _R =5V | ---- | ---- | 30 | μA |
| Dominant Wavelength | λ _d | I _F =20mA | ---- | 640 | ---- | nm |
| Peak Wavelength | λ _p | I _F =20mA | ---- | 660 | ---- | nm |
| Spectral Line half-width | Δλ | I _F =20mA | ---- | 20 | ---- | nm |
| Luminous Intensity | I _v | I _F =10mA | ---- | 3500 | ---- | ucd |



Typical electrical/optical characteristic curves:

