



Features:

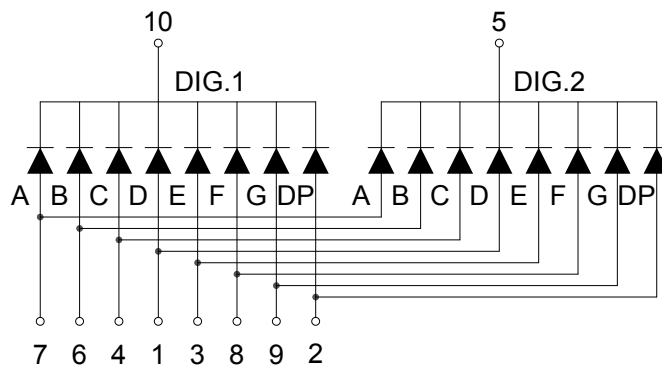
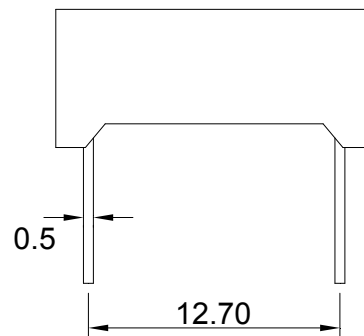
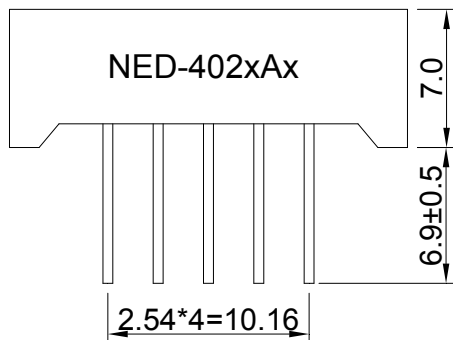
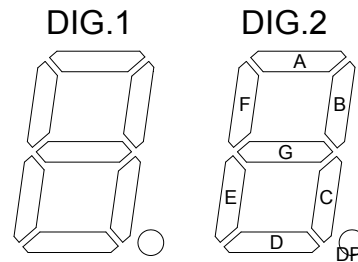
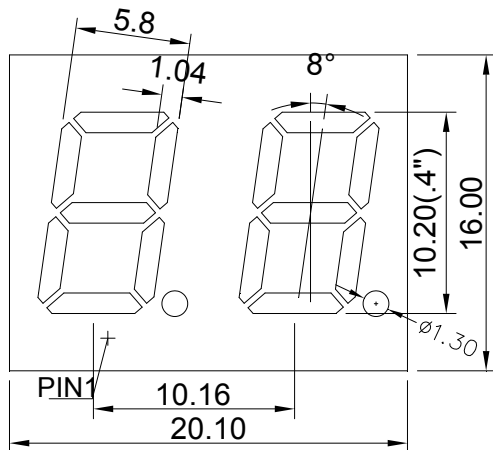
- Industrial standard size.
- Low current operation.
- Easy mounting on P.C. boards or sockets.
- I.C. compatible.
- Mechanically rugged.
- Pb free.
- RoHS compliant.

Descriptions:

- The NED-402xAx series is a large 10.2mm (0.4”) high seven segment display.
- These displays provide excellent reliability in bright ambient light.
- These devices are made with black surface and white segments.
- The Super Bright Red source color devices are made with AlGaInP Red Light Emitting Diod



Package Dimensions & Internal Circuit Diagram



Notes:

1. All dimensions are in millimeters(inches),Tolerance is ± 0.25 (0.01") unless otherwise noted.
2. Specifications are subject to change without notice.

**Absolute maximum ratings (Ta = 25°C)**

Parameter	Symbol		Value		Unit
			Min.	Max.	
Reverse Voltage	VR	----	----	5	V
Forward Current	IF	----	----	25	mA
Power Dissipation	Pd	----	----	60	mW
Pulse Current	Ipeak	Duty=0.1mS, 1kHz	----	80	mA
Operating Temperature	Topr	----	-25	+85	°C
Storage Temperature	Tstr	----	-30	+85	°C
Solder Temperature	Tsol	1/16inch below Seating plane	260/3		°C/s

Electrical and optical characteristics (Ta = 25°C)

Parameter	Symbol	Test Condition	Values			Unit
			Min.	Typ.	Max.	
Forward Voltage	VF	IF=20mA	----	1.9	2.3	V
Reverse Current	IR	VR=5V	----	----	30	μA
Dominate Wavelength	λd	IF=20mA	----	640	----	nm
Peak Wavelength	λp	IF=20mA	----	660	----	nm
Spectral Line half-width	Δλ	IF=20mA	----	20	----	nm
Luminous Intensity	Iv	IF=10mA	----	3500	----	ucd



Typical electrical/optical characteristic curves:

